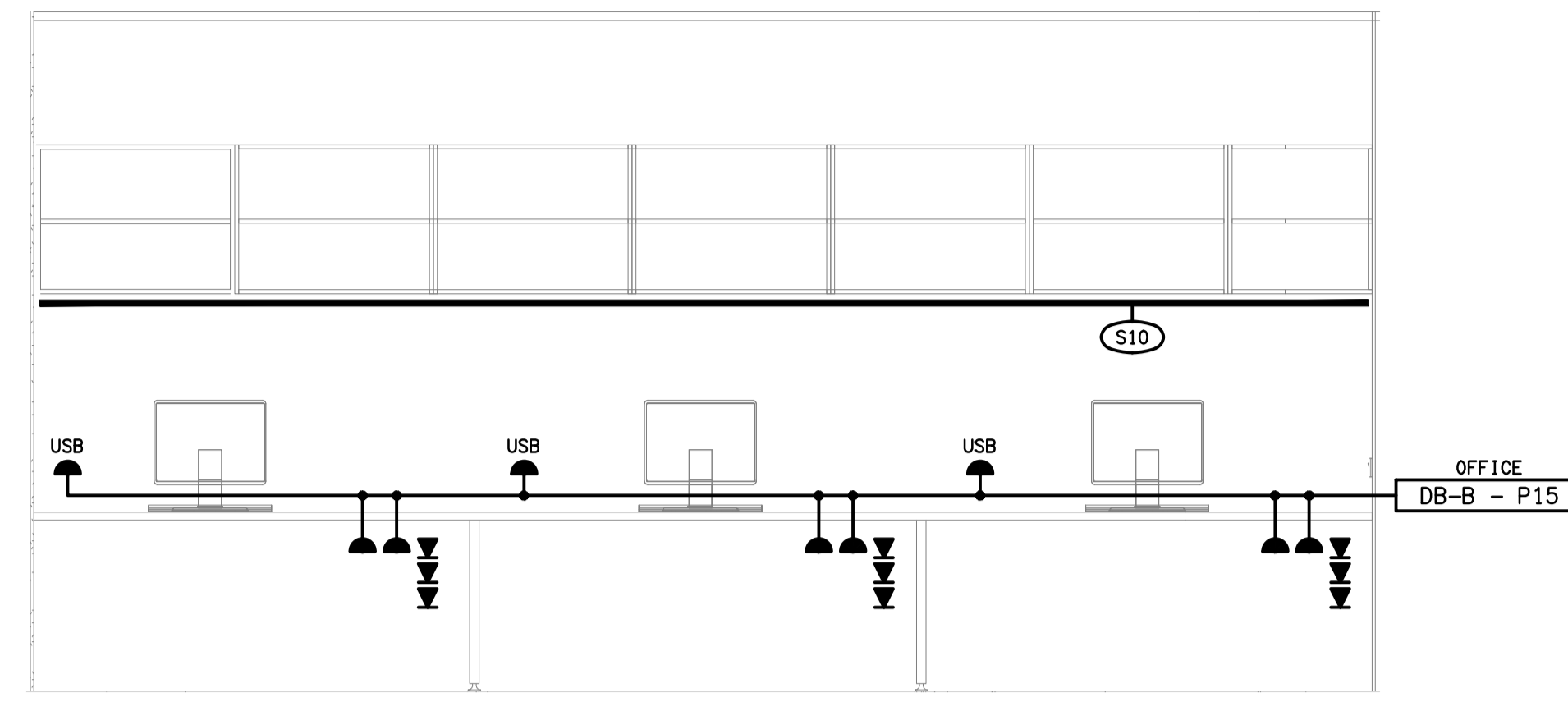
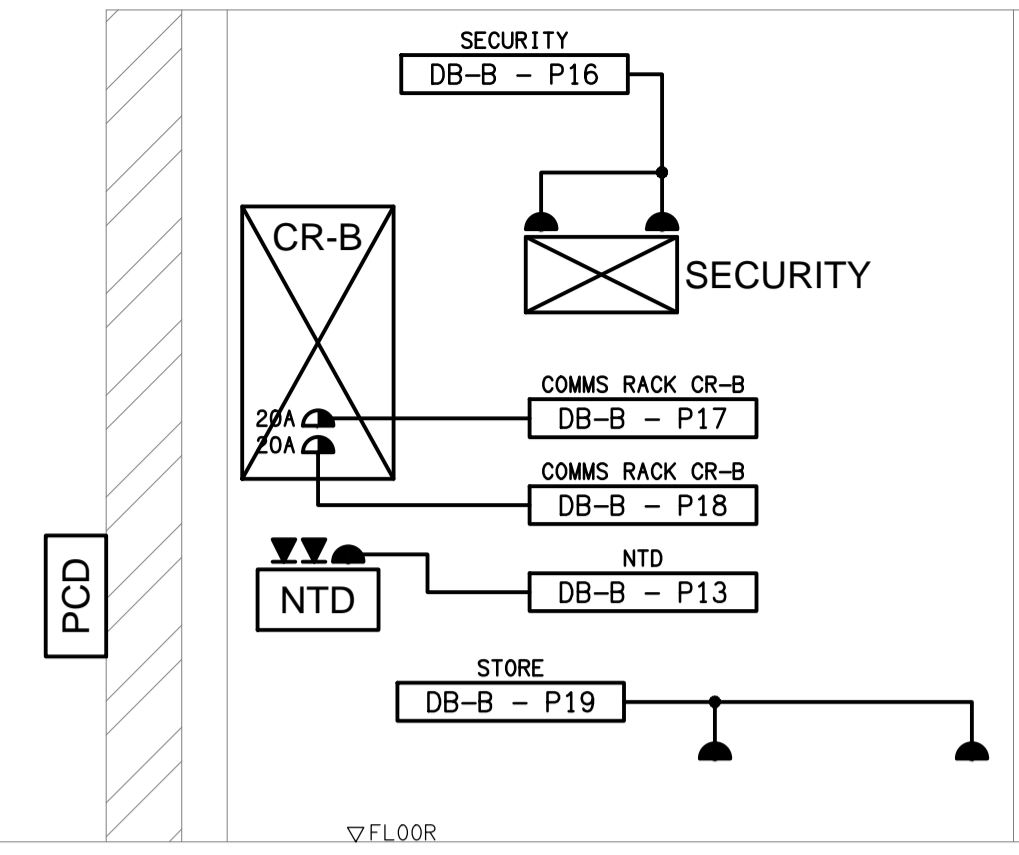


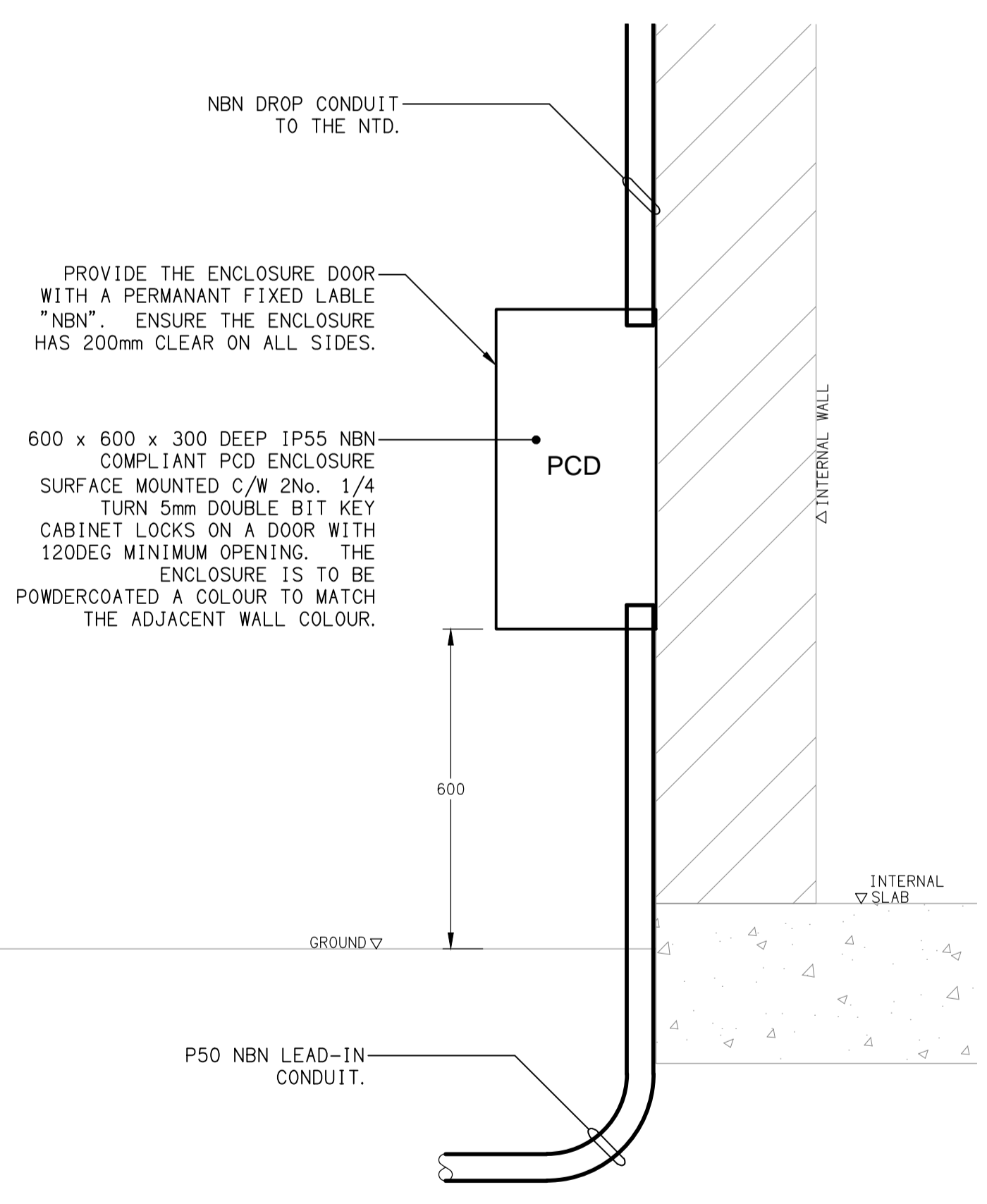
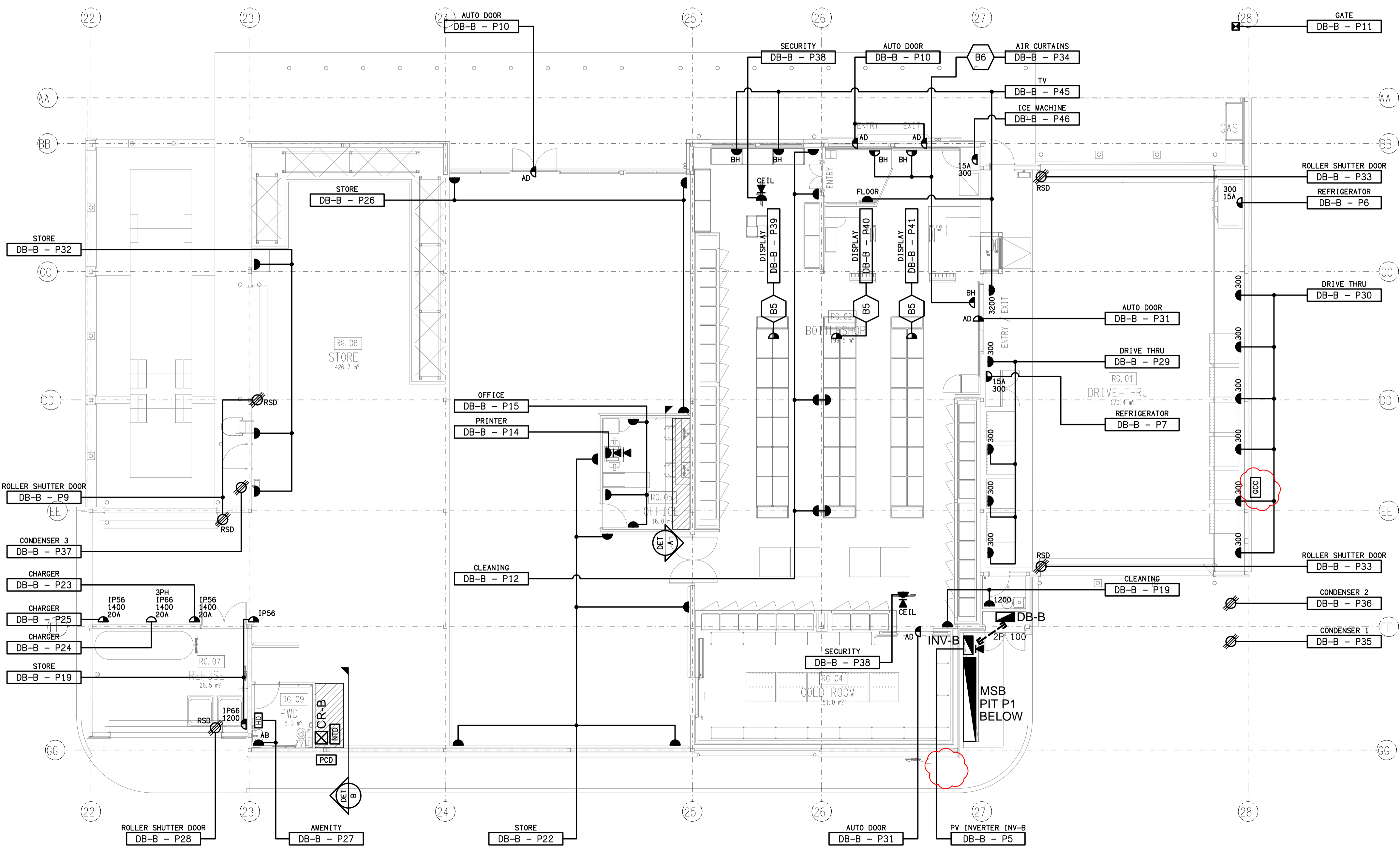
DETAIL D
POINT OF SALE & ENTRY FLOOR PLAN
SCALE 1: 50



DETAIL A
OFFICE WORKSTATION ELEVATION
SCALE 1: 25



DETAIL B
COMMUNICATIONS WALL ELEVATION
SCALE 1: 25



DETAIL C
PCD MOUNTING
NOT TO SCALE

ELECTRICAL DESIGN GROUP BRISBANE PTY LTD
ACN 092 710 793
TRADING AS:
ELECTRICAL DESIGN GROUP

THE COPYRIGHT OF THIS DRAWING REMAINS THE PROPERTY OF THE ELECTRICAL DESIGN GROUP.
USE FIGURED DIMENSIONS IN PREFERENCE TO SCALE.
ALL DIMENSIONS TO BE VERIFIED ONSITE.

ELECTRICAL DESIGN GROUP
ELECTRICAL BUILDING SERVICES CONSULTANTS
BRISBANE GOLD COAST
P.O. Box 15, Sherwood Q.4075
Phone: (07) 3278 4375
Email: brisbane@edg.net.au
Web: www.edg.net.au

PROJECT:
**DRY DOCK ROAD HOTEL,
TWEED HEADS SOUTH**
CORNER DOCK ROAD & FRASER DRIVE, NEW SOUTH WALES

E	CONSTRUCTION	10/04/2026
REV.	DESCRIPTION:	DATE:
DRAWING: ELECTRICAL SERVICES BOTTLE SHOP FLOOR PLAN		
SCALE: 1:100 UNO	PROJECT NO: C2864a	DRAWING NO: E08
AT A1	REVISION: E	